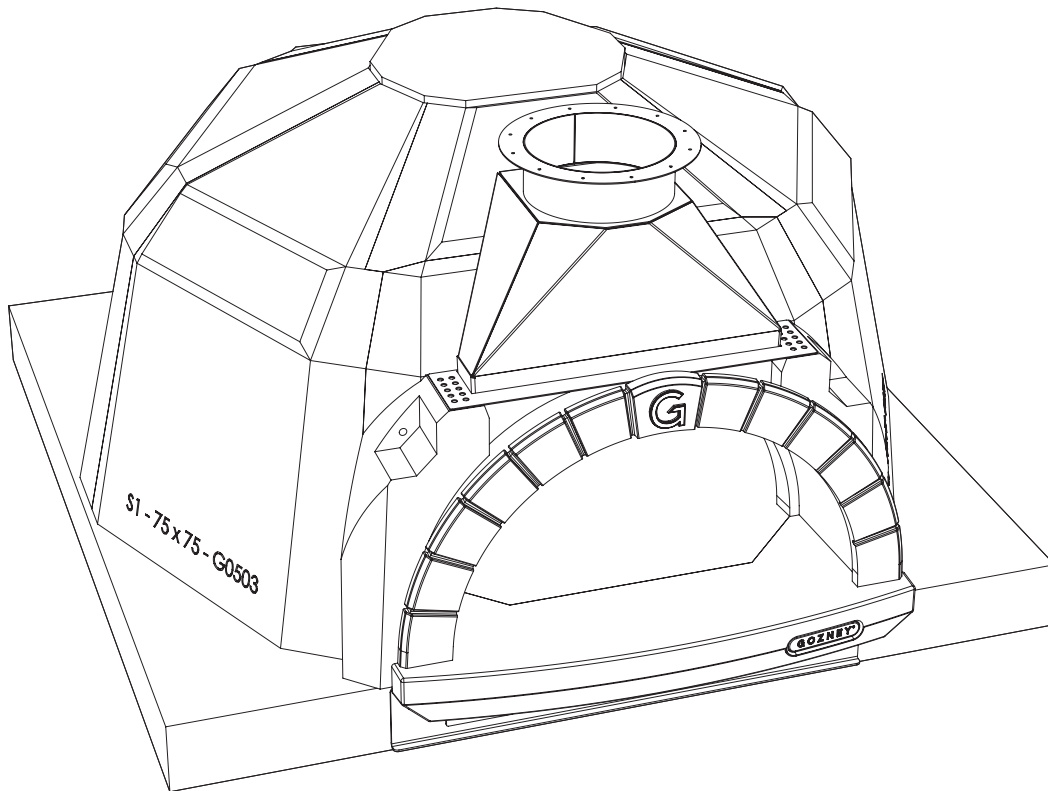


# SPECIFICATION SHEET

## STONE CORE 75



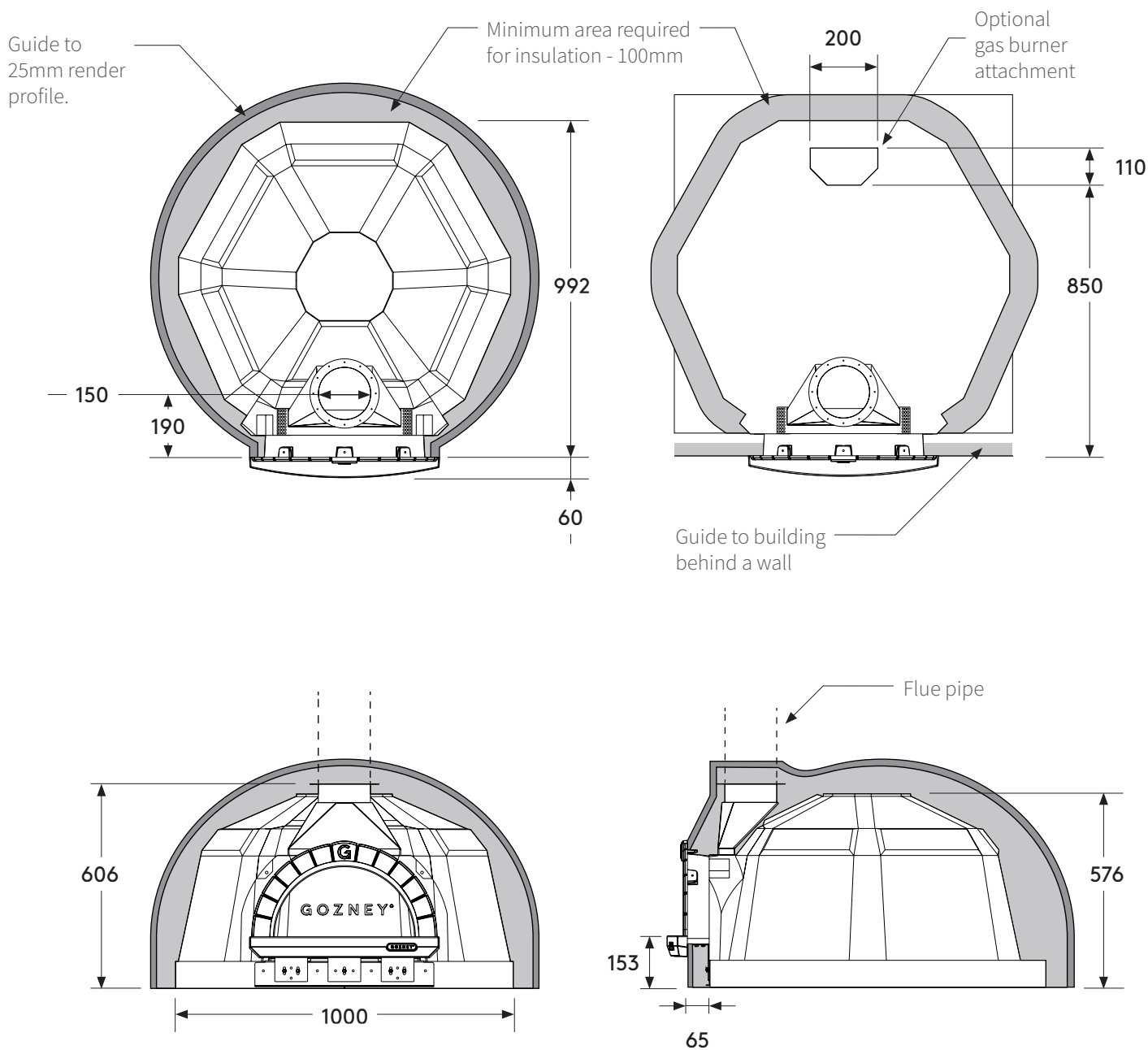
# STONE SERIES

## STONE CORE 75

### PRODUCT SPECIFICATION

Internal oven dimensions	Width 750mm x Depth 750mm x Height 350mm
Pizza capacity	3 x 12" Pizzas
Door size	Width 410mm x Height 205mm
Oven weight	330Kg
Oven wall thickness	65mm
Clearance	Sides: 50mm Front: 1000mm Top: 350mm
Extraction	150mm Flue Spigot
Extraction flow rate	300CFM

All dimensions in mm



Unit 18 & 19, The Runway,  
Christchurch,  
Dorset. BH234FL.

w gozney.com  
e enquiries@gozney.com  
t +44 (0)1425 204 999

GOZNEY<sup>®</sup>