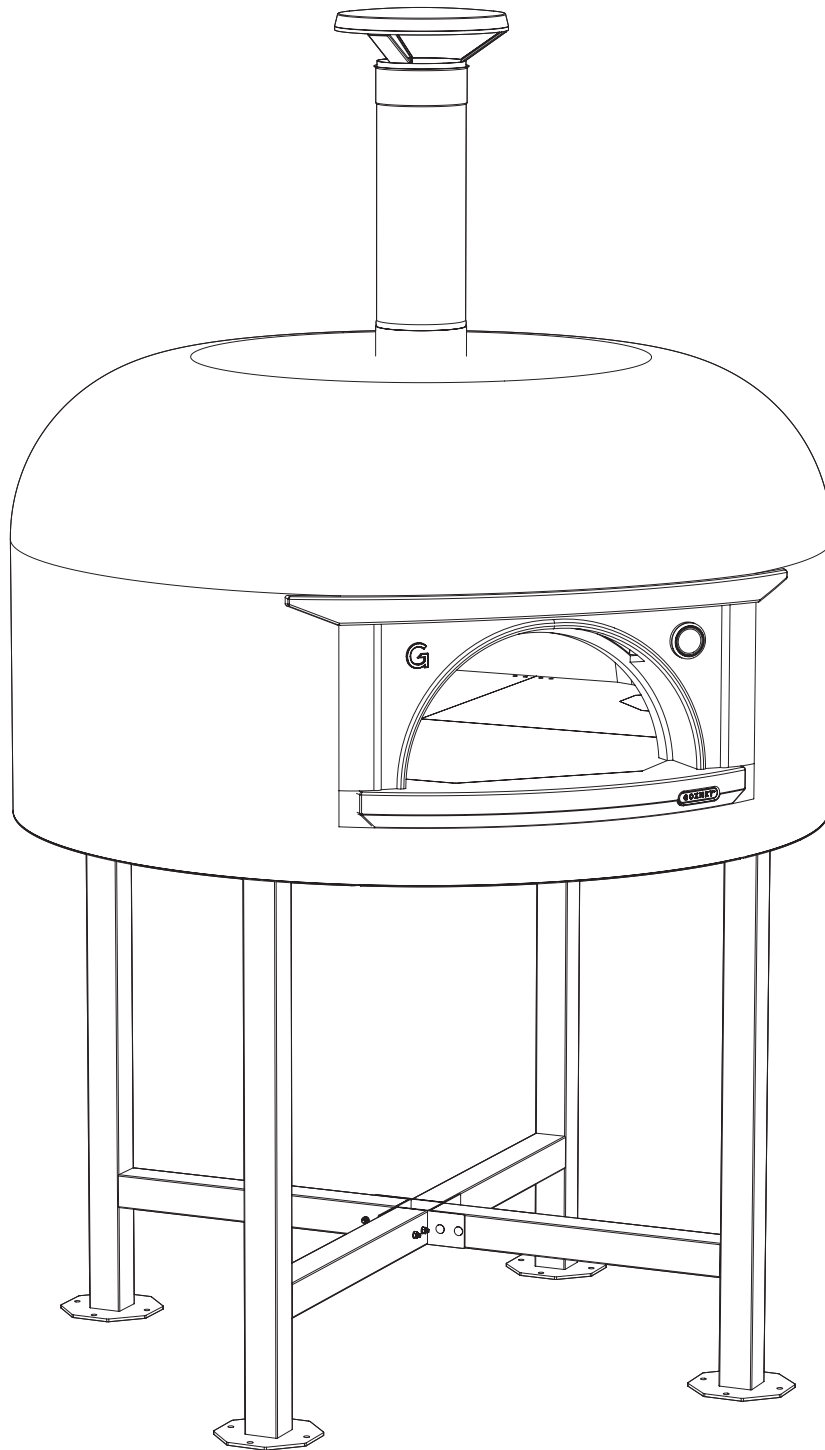


SPECIFICATION SHEET

BLACK EDITION 100

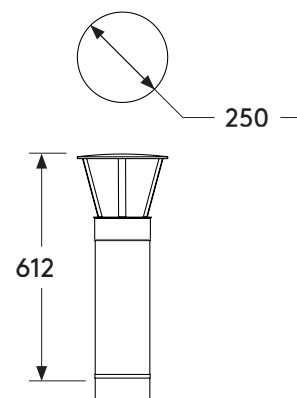
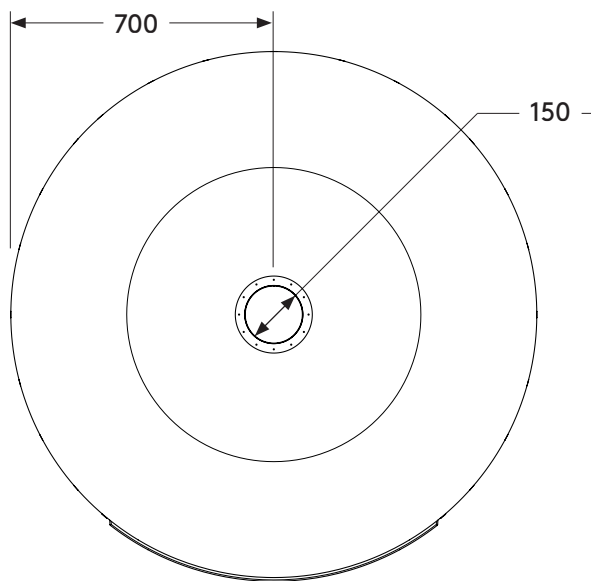


MASTER SERIES

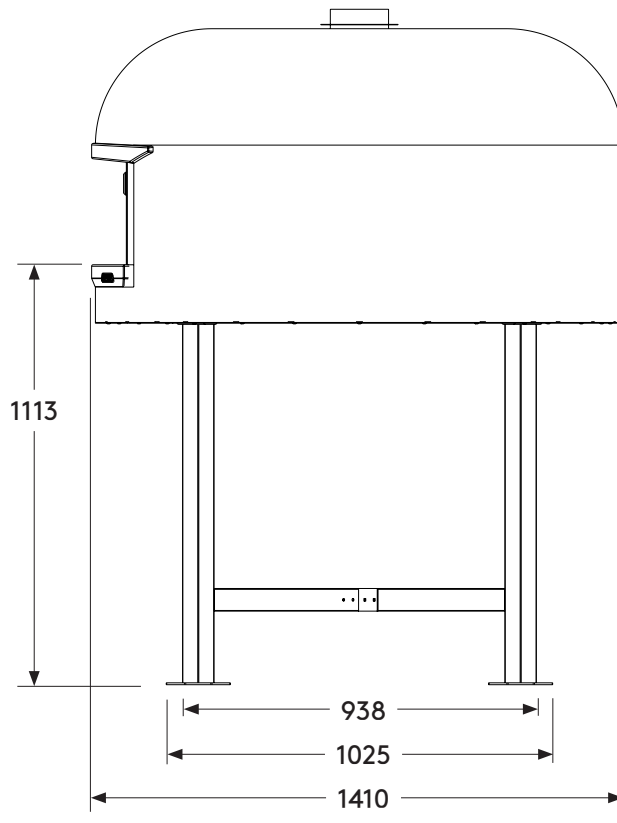
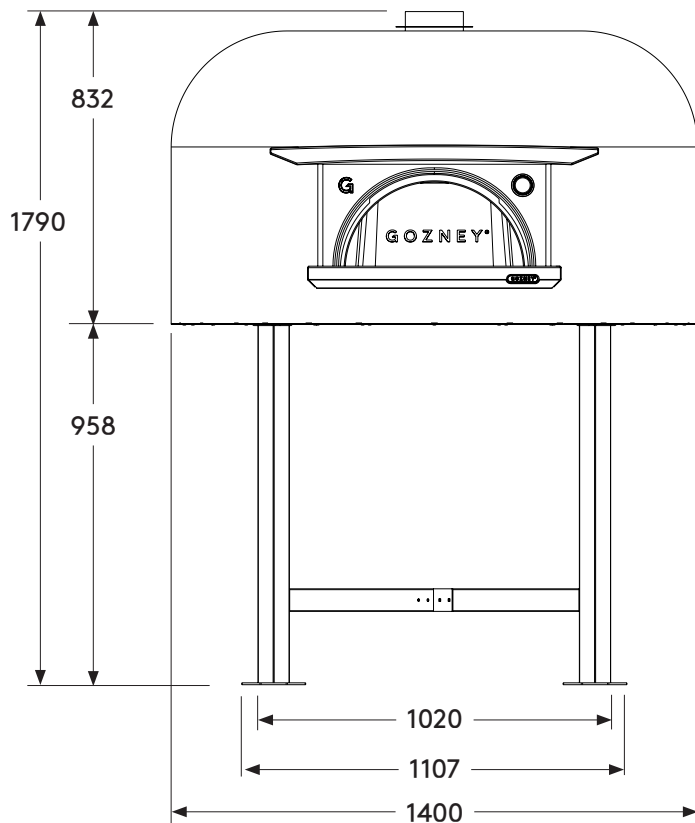
BLACK EDITION 100

PRODUCT SPECIFICATION

Internal oven dimensions	Width 1000mm x Depth 1000mm x Height 380mm	All dimensions in mm
Pizza capacity	5 x 12" Pizzas	
Door size	Width 474mm x Height 224mm	
Oven weight	800Kg	
Oven wall thickness	75mm	
Clearance	Sides: 50mm Front: 1000mm Top: 350mm	
Extraction	150mm Flue Spigot	
Extraction flow rate	350CFM	



Flue pipe and rain cap.



Unit 18 & 19, The Runway,
Christchurch,
Dorset. BH234FL.

w gozney.com
e enquiries@gozney.com
t +44 (0)1425 204 999

GOZNEY[®]